

# ADD+GARDS

COMMERCIAL PRODUCTS

## CP300 SPECIFICATION SHEET

### PRODUCT SPECIFICATION

#### APPLICATION

**ENVIRONMENT:**

Column Protectors filled with air for controlled impact absorption, made from highly flexible, strong, low density polyethylene. Column protectors prevent damage to columns and pillars in warehouses, car parks etc and also to the vehicle or equipment that may have collided with it. They're easy to assemble with no fixings, simply secure with the velcro straps provided. Available in a range of sizes. Stackable for higher protection if required.

**ADVISORY SPEED:**

3.4km/h for gross weight vehicle of 2500 kg  
2.4km/h for gross weight vehicle of 5000 kg

#### MATERIAL

**STRAPS / FIXATIONS:**

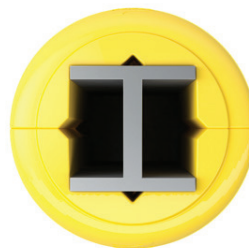
Linear low density Polyethylene, high visibility UV Resistant- Fire class HB\* - non-conductive - impervious to most chemical products.

**COLOURS:**

Velcro straps – black 50mm x 2450mm  
2 black straps to hold 2 halves together.

Yellow

#### REQUIREMENTS, MAXIMUM PILLAR DIMENSIONS:



260mm x 260mm



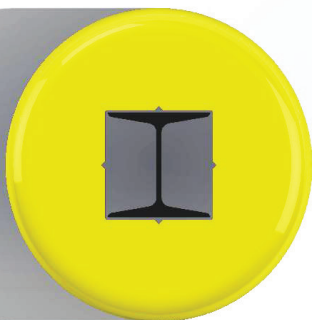
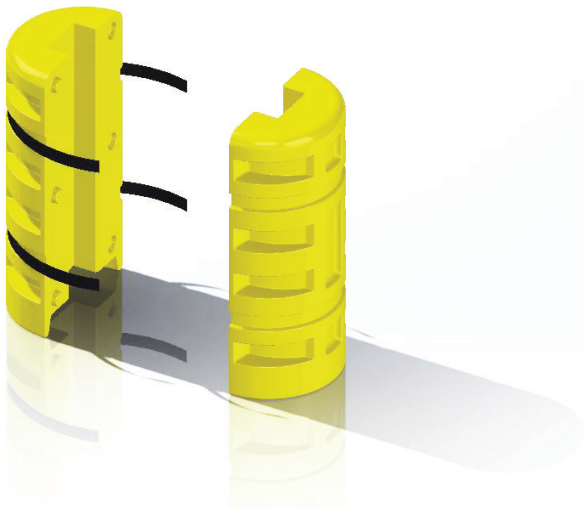
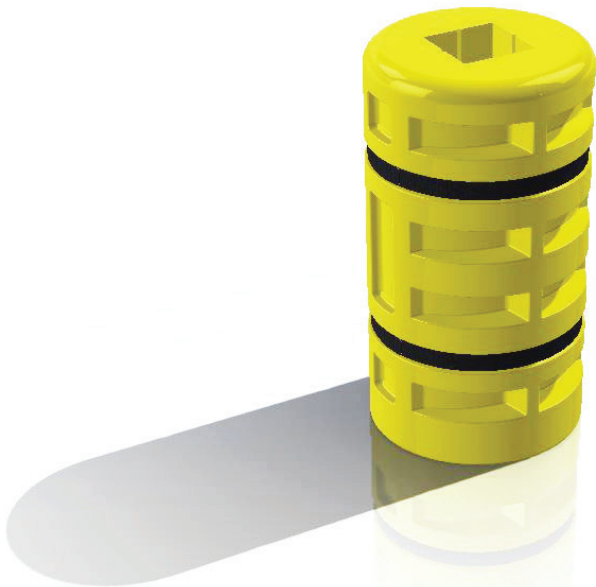
320mm x 320mm

**ENVIRONMENT:**

Suitable for indoor and outdoor use

**WORKING TEMPERATURES:**

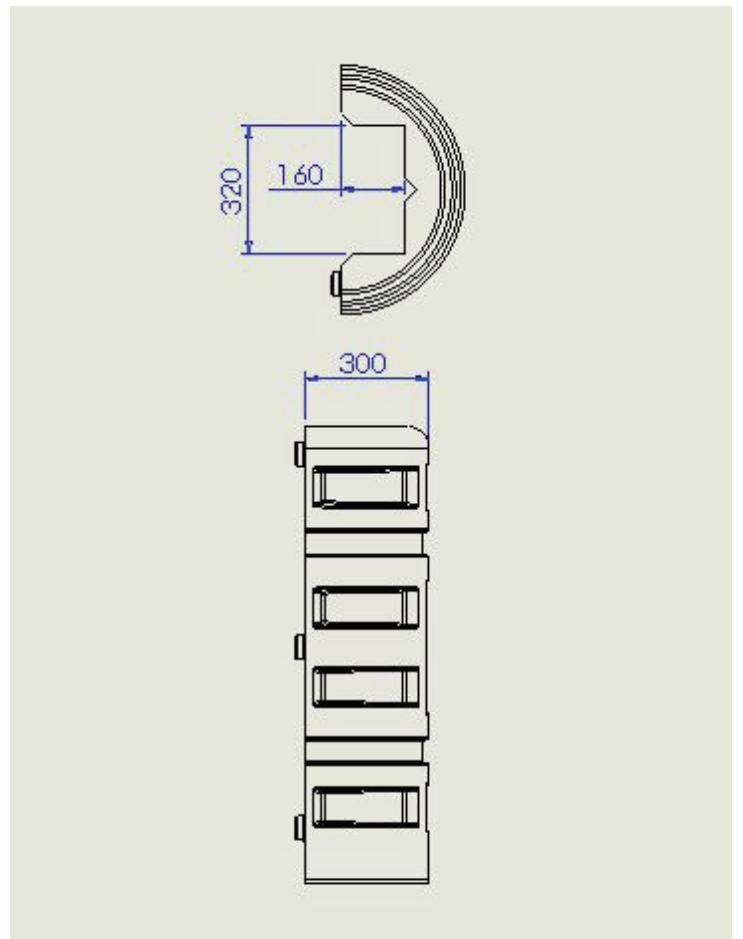
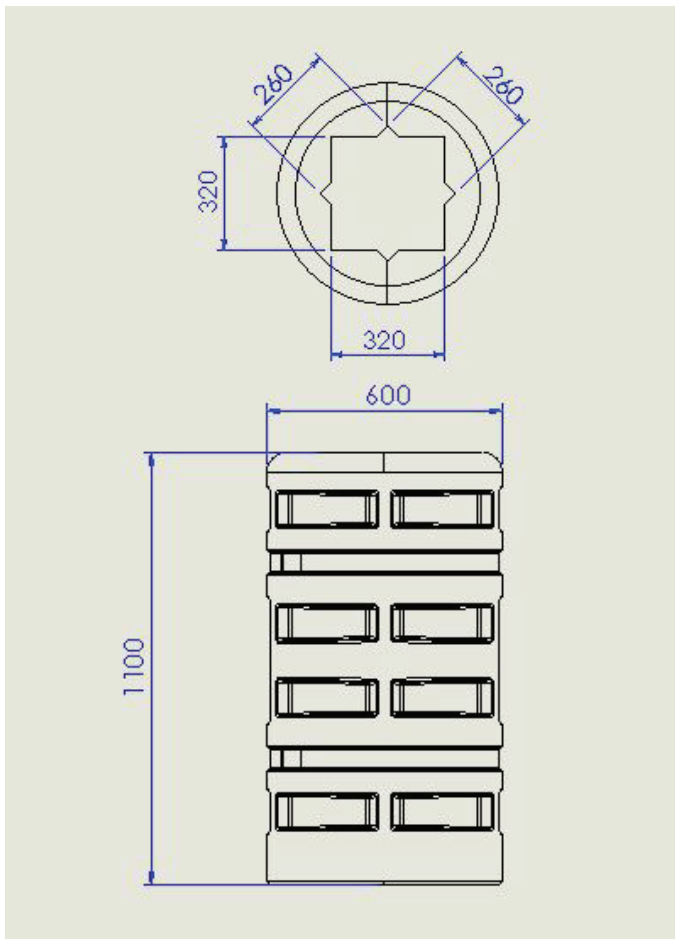
-15°C up to +40°C



## FEATURES AND FUNCTIONALITY

SIZE:		IMPACT PERFORMANCE:		
<b>OUTER DIAMETER:</b>	600mm x 600mm	<b>TEST CONDITIONS:</b>	Ambient Temperature	20° Celcius
<b>INNER DIAMETER:</b>	320 x 320mm (260 x 260mm)		Forklift Weight	2300kg
<b>WEIGHT:</b>	23kg	Success Criteria	No permanent damage of the protector	
<b>HEIGHT:</b>	1.1 Metre	<b>90° IMPACT:</b>	Maximum Impact:	2100 Joule
		<b>45° IMPACT:</b>	Maximum Impact:	3100 Joule

## CP300 SPECIFICATIONS:



### INFILLS THAT CAN BE ADDED TO CP300

110mm infill for rectangular shaped columns 300 x 310mm  
 210mm infill for rectangular shaped columns 300 x 410mm  
 310mm infill for rectangular shaped columns 300 x 510mm

110mm 210mm 310mm

